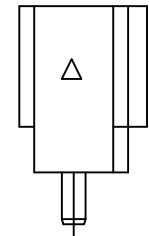
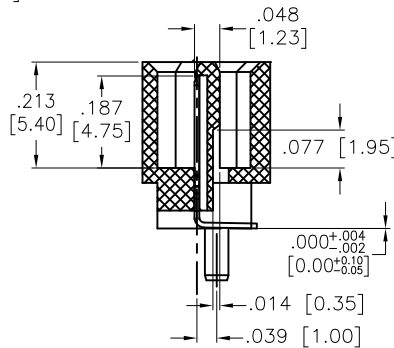
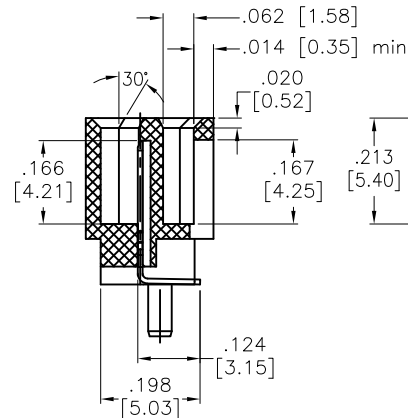
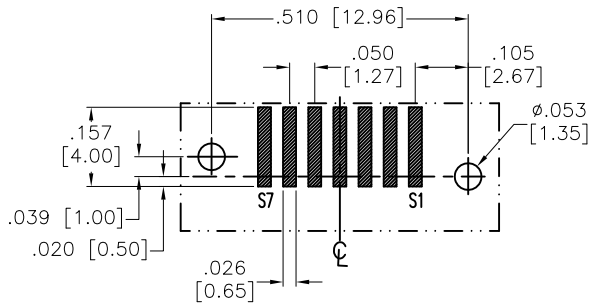
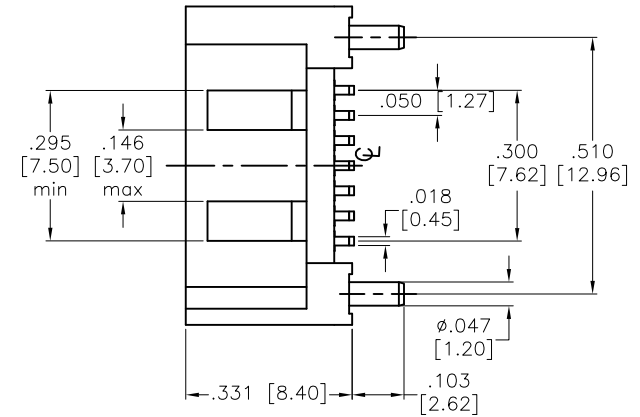
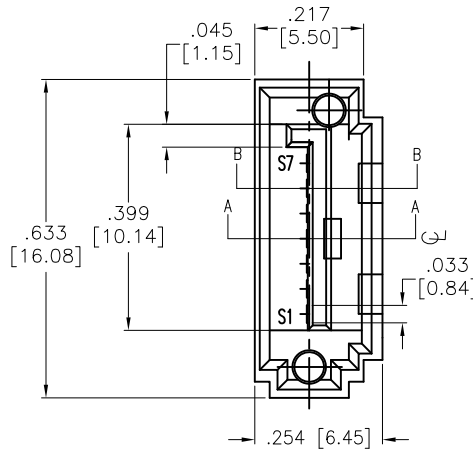


APPROVED: _____
 DATE: _____ TITLE: _____

Rev	AWO #	Description	Date	Appr
-		Released	10/24/07	SS
A		REVISED SHAPE & DIM.	11/14/12	
B		UPDATED DRAWING	8/22/16	HR/CH

Signal Segment	
Name	Type
S1	GND
S2	A+
S3	A-
S4	GND
S5	B-
S6	B+
S7	GND



SPECIFICATIONS:

Material:
 Insulator: Hi-temp thermoplastic, rated UL 94V-0
 Insulator color: Black
 Contacts: Brass
 Boardlock: Brass, Tin plated
Plating:
 Gold Flash over Nickel underplate on mating area,
 Tin over Nickel underplate on tails
Electrical:
 Current rating: 1.5 Ampsere per Contact
 Contact resistance: 30 mohms max.
 Insulation resistance: 1,000 Mohms min
 Dielectric withstanding voltage: 500 VAC for 1 minute
Mechanical:
 Insertion force: 45N max
 Withdrawal force: 10N min
 Durability: 500 Cycles
Temperature Rating:
 Operating temperature: -55°C to +85°C
 Environmental:
 Lead free, RoHS compliant.

RECOMMENDED PCB LAYOUT

SECTION B-B

SECTION A-A



UNLESS OTHERWISE SPECIFIED
 ALL DIMENSIONS ARE INCHES [MM]
 TOLERANCES: EXCEPT AS NOTED

INCHES		HOLES	
.X	± .10	∅X	± .10
.XX	± .020	∅XX	± .015
.XXX	± .015	∅XXX	± .010

APPROVALS		DATE
DRAWN	SHIREN	10/24/07
CHECKED	SS	10/25/07
APPROVED	SS	10/25/07

ADAM TECH

909 Rahway Avenue, Union, NJ 07083
 Phone: 908-687-5000 Fax: 908-687-5710

TITLE		
SATA 7P STRAIGHT DIP B TYPE SHIELD ROUNDED COPPER POLE(THROUGH TYPE) MALE		
SIZE X	PART NO. SATA-P-PR-SMT	REV. B
REF: S00078T	SCALE: NTS	SHEET 1 OF 1