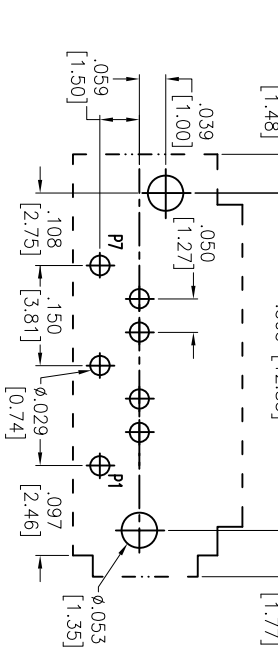
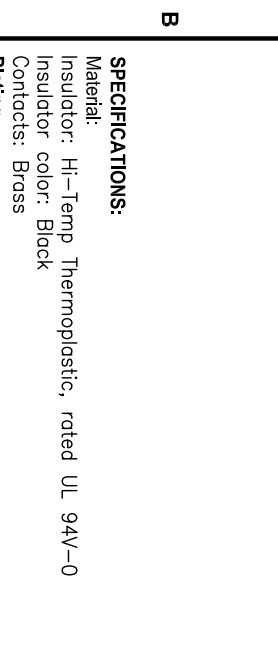
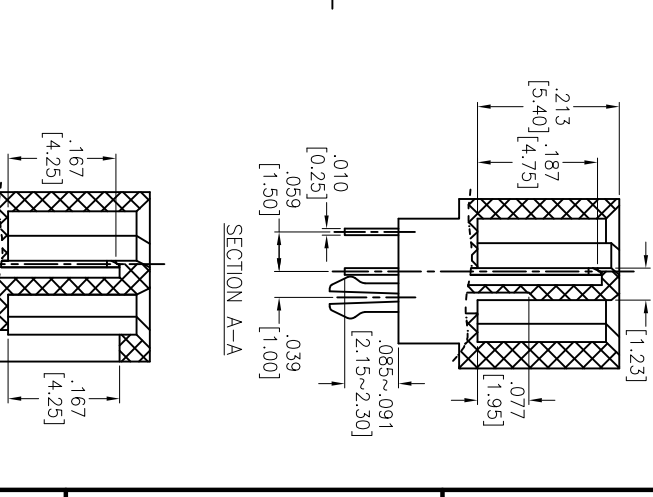
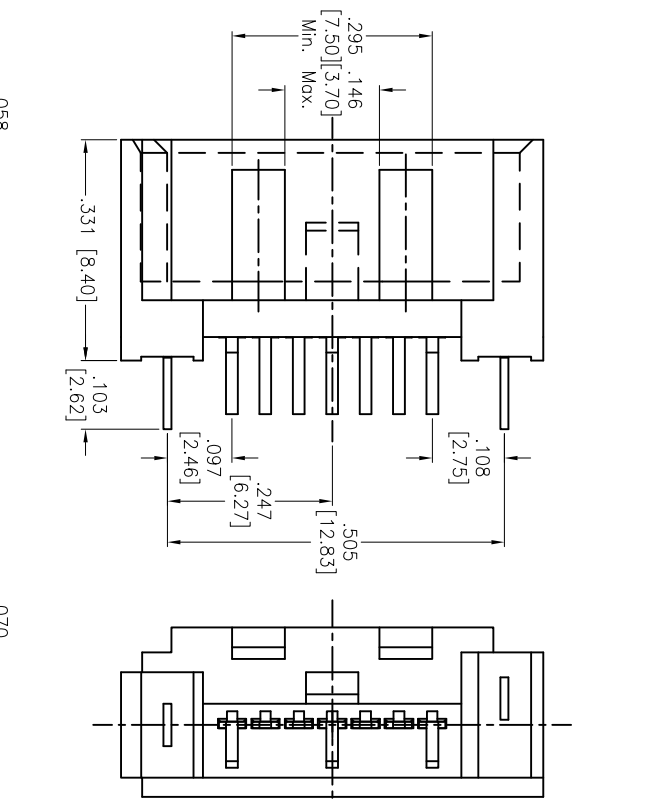
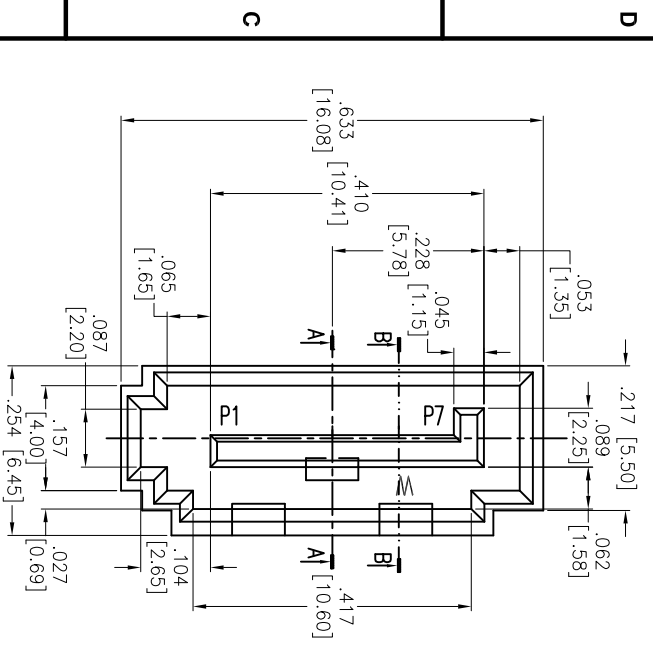
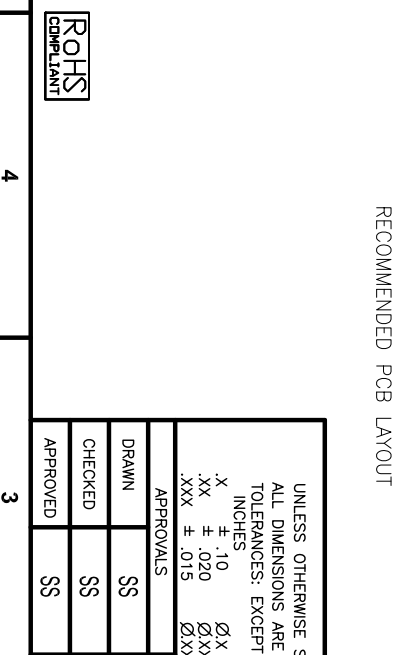


APPROVED: _____
 DATE: _____ TITLE: _____

Rev	AWO #	Description	Date	Appr
-	8425	Released	2/5/08	
A		REDRAWN	04/12/12	



SPECIFICATIONS:
Material:
 Insulator: Hi-Temp Thermoplastic, rated UL 94V-0
 Insulator color: Black
 Contacts: Brass
Plating:
 Gold Flash over Nickel underplate on mating area.
 Tin over Copper underplate on tails.
Electrical:
 Current rating: 1.5 Amps max.
 Contact resistance: 30 mohms max.
 Insulation resistance: 1,000 Mohms min @ 500 VAC
 Dielectric withstanding voltage: 500 VAC for 1 minute
Mechanical:
 Insertion force: 45N max
 Withdrawal force: 10N min
 Durability: 500 cycles
Temperature Rating:
 Operating temperature: -55°C to +85°C
 Environmental:
 Lead free, RoHS compliant.



UNLESS OTHERWISE SPECIFIED ALL DIMENSIONS ARE INCHES [MM] TOLERANCES ARE AS NOTED		INCHES		HOLDS	
.X	± .10	ØX	± .10		
.XX	± .020	ØXX	± .015		
.XXX	± .015	ØXXX	± .010		
APPROVALS		DATE			
DRAWN	SS	2/5/08			
CHECKED	SS				
APPROVED	SS				
TITLE		SIZE	PART NO.	REV.	
SATA 7P STRAIGHT DIP, SHIELDED THROUGH TYPE		X	SATA-P-PR-VT	A	
909 Railway Avenue, Union, NJ 07083 Phone: 908-687-5000 Fax: 908-687-5710		REF:	S00078T	SCALE:	NIS
ADAM TECH		SHEET 1 OF 1			