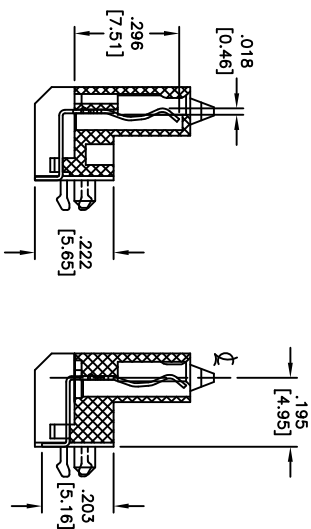
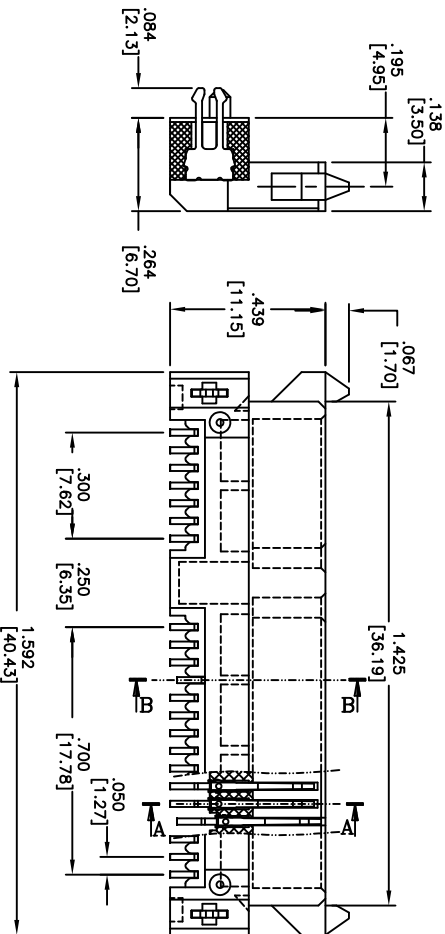
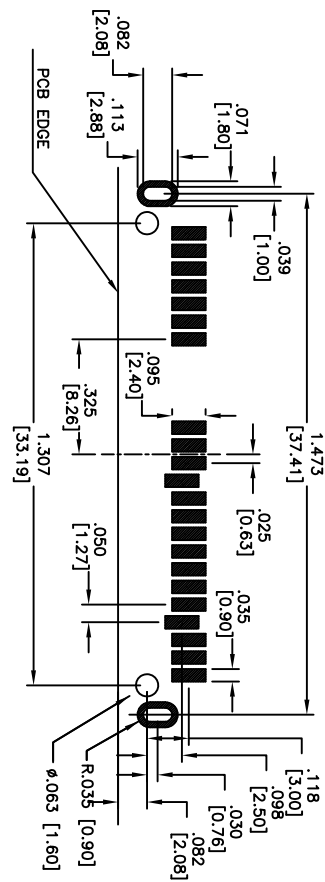
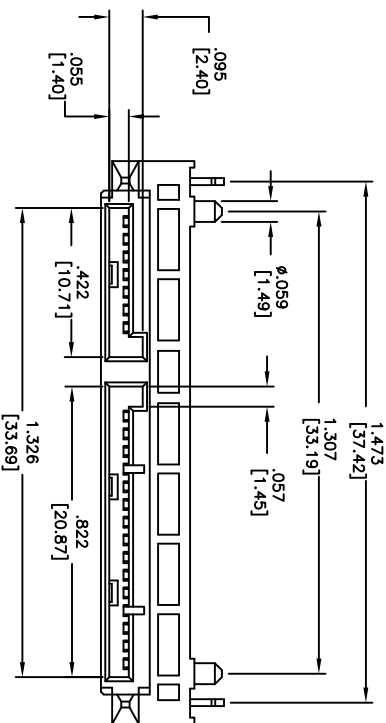


APPROVED: _____
 DATE: _____ TITLE: _____

Rev	AWO #	Description	Date	Appr
-		RELEASED	4/28/08	
A		REVISED DIM.	9/03/09	



SECTION A-A

SECTION B-B

P.C.B. LAYOUT (T=1.2)
TOP VIEW

SPECIFICATIONS:

- Material: Insulator: LCP, rated UL 94V-0
- Insulator color: Black
- Contacts: Phosphor Bronze
- Plating: Gold Flash over Nickel underplate on contact area, Tin over Copper underplate on solder tails

- Electrical:
 - Operating voltage: 100 VAC max
 - Current rating: 1.5 Amps max
 - Contact resistance: 30 mohms max
 - Insulation resistance: 1,000 Mohms min @ 500 VDC
 - Dielectric withstanding voltage: 500 VAC for 1 minute
- Mechanical:
 - Insertion force: 45N max.
 - Withdrawal force: 10N min.
 - Durability: 500 cycles
 - Temperature Rating: Operating temperature: -55°C to +125°C
- Environmental:
 - Lead free, RoHS compliant
 - Recommended soldering temp: 260°C for 5 sec.

A

A

Operating temperature: -55°C to +125°C

Temperature Rating:

Environmental:

Recommended soldering temp: 260°C for 5 sec.

Lead free, RoHS compliant



ADAM TECH

909 Rahway Avenue, Union, NJ 07083
 Phone: 908-687-5000 Fax: 908-687-5710

SATA CONNECTOR, 7P + 15P, 90°,
 REVERSE SURFACE MOUNT FEMALE

UNLESS OTHERWISE SPECIFIED ALL DIMENSIONS ARE INCHES [MM] TOLERANCES: EXCEPT AS NOTED INCHES HOLES		APPROVALS		TITLE	
.X	± .10	Ø.X	± .10	DATE	
.XX	± .020	Ø.XXX	± .015		
.XXX	± .015	Ø.XXXX	± .010		
DRAWN		DY	4/28/08	SIZE	PART NO.
CHECKED				X	SATA-Q-PM-SMT-R
APPROVED				REF:	SCALE: NTS
					SHEET 1 OF 1