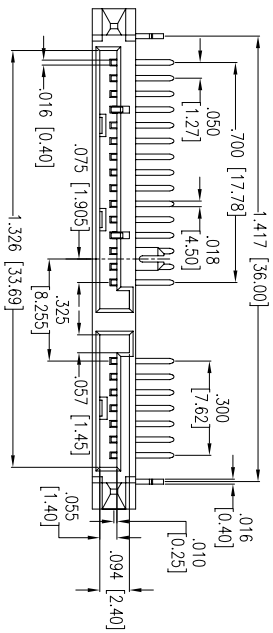


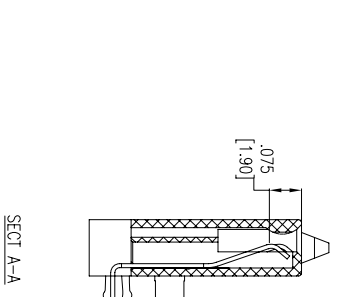
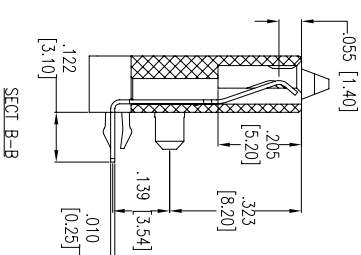
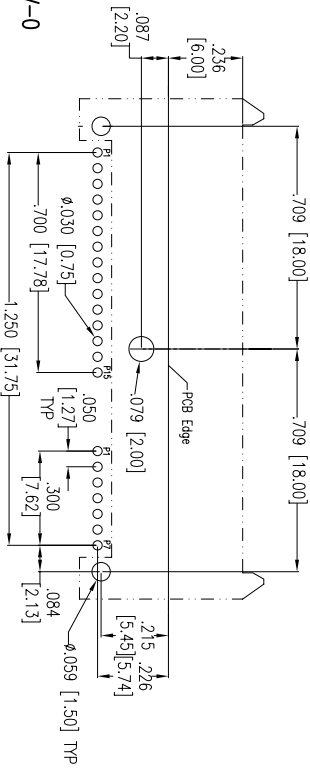
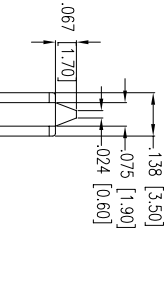
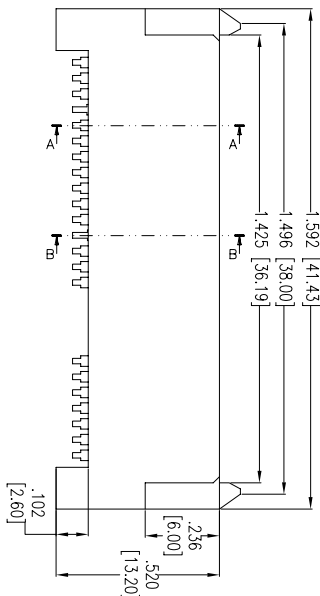
Rev	AWO #	Description	Date	Appr
-		RELEASED	10/30/08	

APPROVED: \_\_\_\_\_

DATE: \_\_\_\_\_ TITLE: \_\_\_\_\_



Signal Segment	Power Segment
Name	Type
S1	GND
S2	A+
S3	A-
S4	GND
S5	B-
S6	B+
S7	GND
P8	V5
P9	V5
P10	GND
P11	DAS/DSS
P12	GND
P13	V12
P14	V12
P15	V12



**SPECIFICATIONS:**

- Material: Insulator: LCP, rated UL 94V-0
- Insulator color: Black
- Contacts: Phosphor Bronze

**Plating:**

- Gold Flash over Nickel underplate on contact area,
- Tin over Copper underplate on solder tails

**Electrical:**

- Operating voltage: 100 VAC max
- Current rating: 1.5 Amps max
- Contact resistance: 30 mohms max
- Insulation resistance: 1000 Mohms min @ 500 VDC
- Dielectric withstanding voltage: 500 VAC for 1 minute

**Temperature Rating:**

- Operating temperature: -55° C to +125° C

**Environmental:**

- Lead free, RoHS compliant
- Recommended soldering temp: 260° C for 5 seconds



UNLESS OTHERWISE SPECIFIED  
ALL DIMENSIONS ARE INCHES [MM]  
TOLERANCES: EXCEPT AS NOTED  
INCHES                   Holes  
X ± .10                   ØX ± .10  
XX ± .020               ØXXX ± .015  
XXX ± .015              ØXXXX ± .010

**ADAM TECH**  
909 Rahway Avenue, Union, NJ 07083  
Phone: 908-687-5000 Fax: 908-687-5710

TITLE: SATA CONNECTOR, FEMALE, 7+15PIN, RIGHT ANGLE THRU-HOLE

APPROVALS	DATE	SIZE	PART NO.	SCALE	SHEET	REV.
DRAWN	DY		SATA-V-PM-RT	NTS	1 OF 1	
CHECKED		X				
APPROVED						