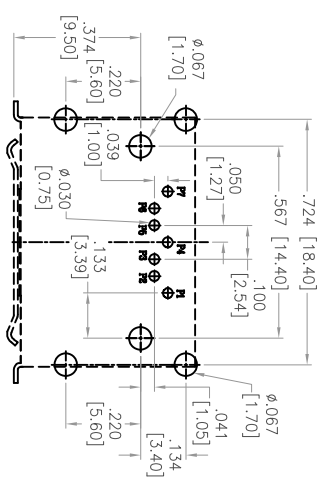
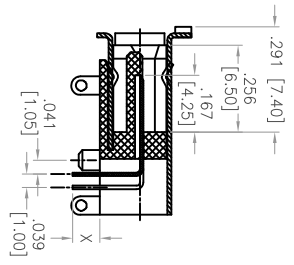
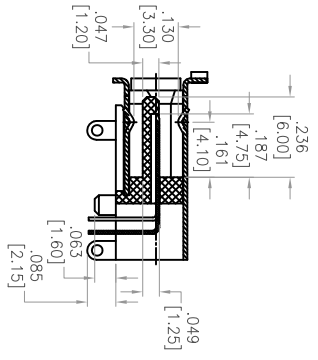
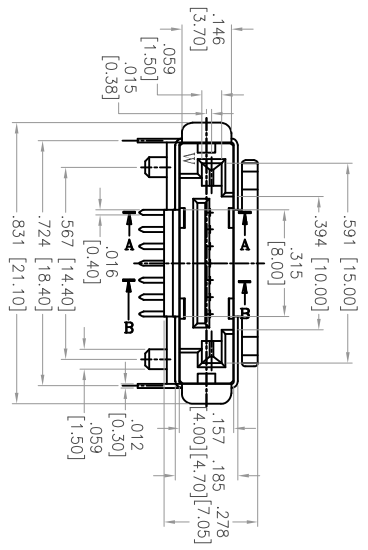
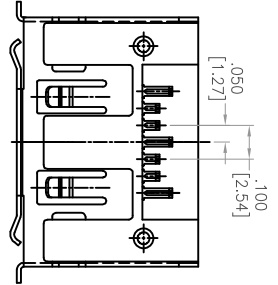
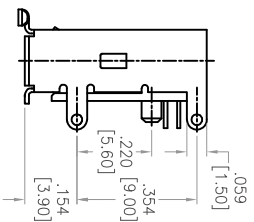
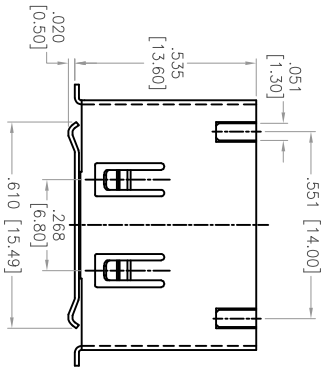


Rev	AWO #	Description	Date	Appr
-		RELEASED	09/21/12	

APPROVED: \_\_\_\_\_  
 DATE: \_\_\_\_\_ TITLE: \_\_\_\_\_



**SPECIFICATIONS:**  
 Material: Insulator: HI-temp thermoplastic, rated UL 94V-0  
 Insulator color: Black  
 Contacts: Brass  
 Plating: Gold over Nickel underplate on contact area, Tin over Copper underplate on PCB tails.

**Electrical:**  
 Operating voltage: 100 VAC max  
 Current rating: 1.5 Amps max  
 Contact resistance: 30 mohms max  
 Insulation resistance: 1,000 Mohms min @ 500 VDC  
 Dielectric withstanding voltage: 500 VAC for 1 minute  
**Temperature Rating:**  
 Operating temperature: -55°C to +125°C  
**Environmental:**  
 Lead free, RoHS compliant.

ADAM P/N	Dim. X
SATA-W-NP-RA-1	.122 [3.10]
SATA-W-NP-RA-2	.081 [2.05]

UNLESS OTHERWISE SPECIFIED  
 ALL DIMENSIONS ARE IN INCHES [MM]  
 TOLERANCES EXCEPT AS NOTED  
 INCHES HOLE SIZES  
 .X ± .10 ØX ± .10  
 .XX ± .020 ØXX ± .015  
 .XXX ± .015 ØXXX ± .010

APPROVALS	DATE
DRAWN TW	09/21/12
CHECKED AH	09/21/12
APPROVED	

**ADAM TECH**

909 Railway Avenue, Union, NJ 07083  
 Phone: 908-687-5000 Fax: 908-687-5710

TITLE: ESATA CONNECTOR, 7P, .127" [5.00] PITCH  
 RIGHT ANGLE

SIZE	PART NO.	SCALE	SHEET 1 OF 1
X	SATA-W-NP-RA-X	NIS	