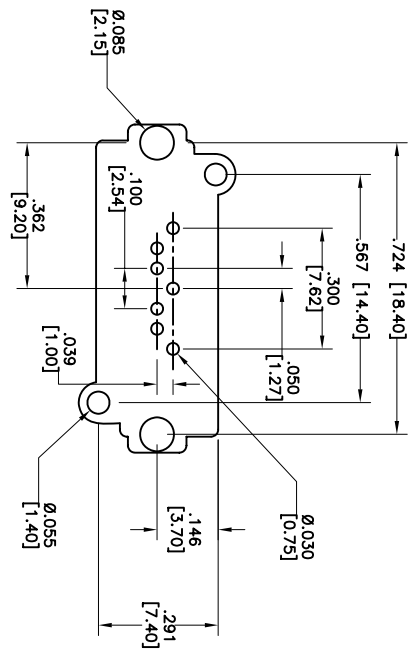
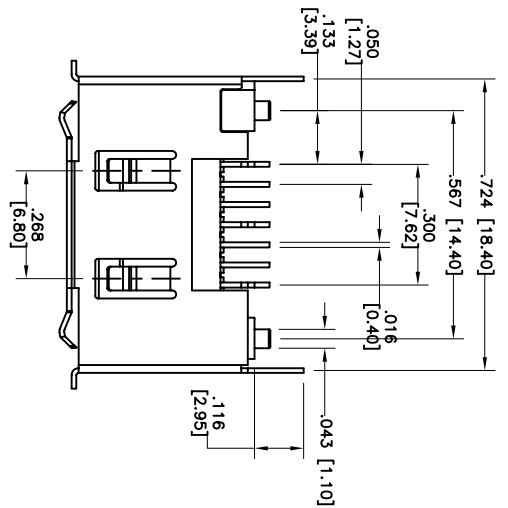
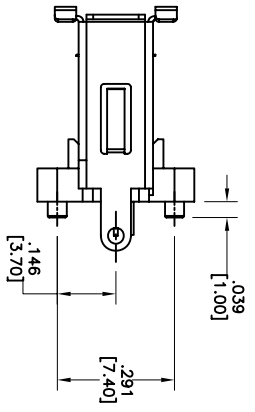
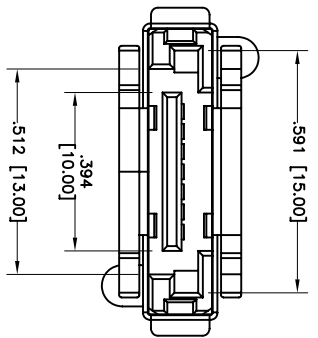


Rev	AWO #	Description	Date	Appr
-		RELEASED	1/16/09	

APPROVED: _____
 DATE: _____ TITLE: _____



RECOMMEND PCB LAYOUT



SPECIFICATIONS:

Material:
 Insulator: Hi-temp thermoplastic, rated UL 94V-0
 Insulator color: Black
 Contacts: Brass
 Shell: Brass
Plating:
 Gold over Nickel underplate on contact area, Tin over Copper underplate on PCB tails
Electrical:
 Voltage rating: 500 VAC
 Current rating: 1.5 Amps max per contact
 Contact resistance: 40 mohms max
 Dielectric withstanding voltage: 500 VAC for 1 minute
 Temperature Rating:
 Operating temperature: -55°C to +85°C
Environmental:
 Lead free, RoHS compliant.
 Recommended soldering temp: 260°C for 5 sec.



ADAM TECH

909 Railway Avenue, Union, NJ 07083
 Phone: 908-687-5000 Fax: 908-687-5710

TITLE: **ESATA CONNECTOR, 7P, PITCH .050 [1.27]**
STRAIGHT, DIP TYPE, W/ SHELL

UNLESS OTHERWISE SPECIFIED ALL DIMENSIONS ARE INCHES [MM]	
TOLERANCES: EXCEPT AS NOTED	
INCHES	HILES
.X ± .10	ØX ± .10
.XX ± .020	ØXXX ± .015
.XXX ± .015	ØXXX ± .010
APPROVALS	DATE
DRAWN	DY
CHECKED	
APPROVED	

SIZE	PART NO.	REV.
X	SATA-M-NP-VT	-
REF:	SCALE: NTS	SHEET 1 OF 1