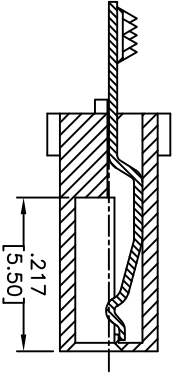
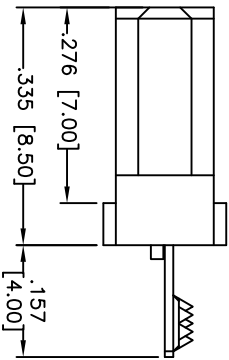
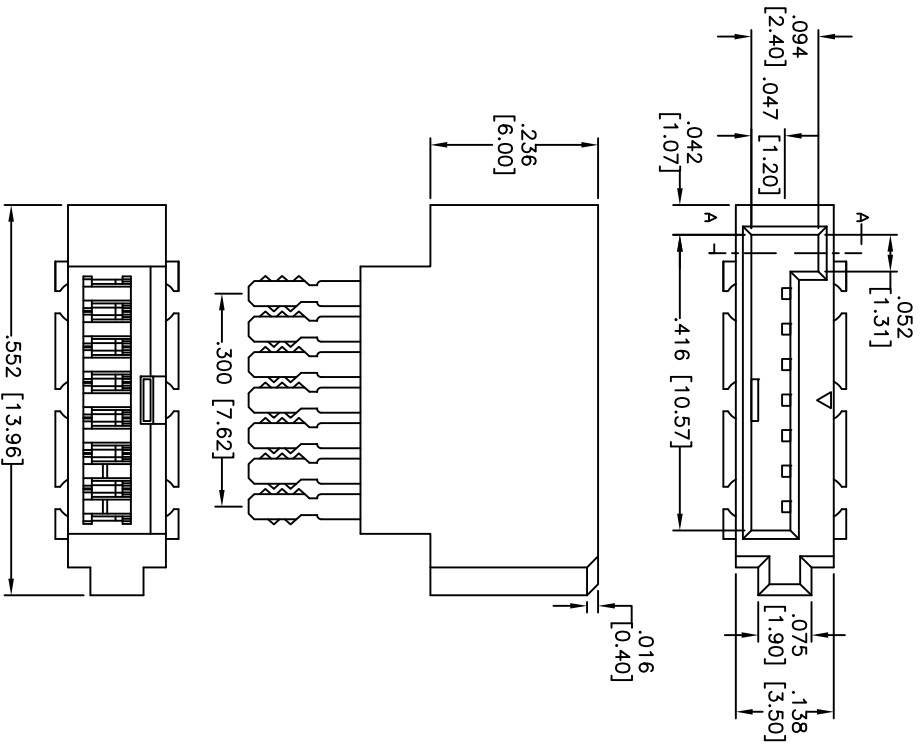


Rev	AWO #	Description	Date	Appr
-	9742	RELEASED	9/18/09	

APPROVED: _____
 DATE: _____ TITLE: _____



SECTION A-A

UNLESS OTHERWISE SPECIFIED
 ALL DIMENSIONS ARE INCHES [MM]
 TOLERANCES: EXCEPT AS NOTED
 INCHES HOLES
 .X ± .10 Ø.X ± .10
 .XX ± .020 Ø.XXX ± .015
 .XXX ± .015 Ø.XXXX ± .010

ADAM TECH
 909 Rahway Avenue, Union, NJ 07083
 Phone: 908-687-5000 Fax: 908-687-5710

SATA CONNECTOR, 7P

APPROVED	DY	9/18/09	DATE	SIZE	PART NO.	REV.
CHECKED				X	SATA-Z-PL-CM	
DRAWN				REF: S00094C	SCALE: NTS	SHEET 1 OF 1

Environmental:
 Lead free, RoHS compliant



6 5 4 3 2 1

A B C D A B C D