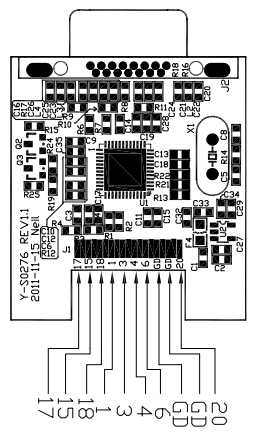
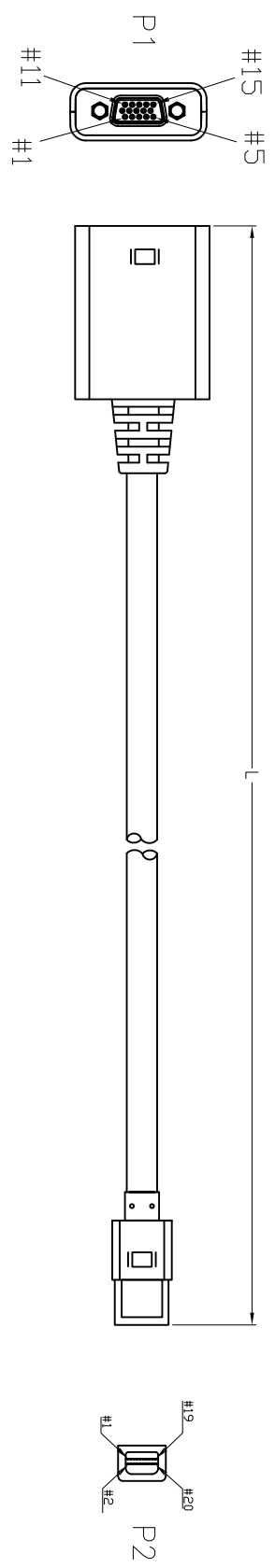


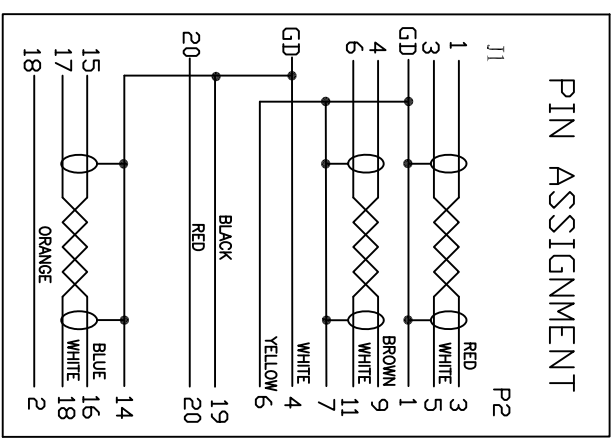
Rev	AWO #	Description	Date	Appr
-		RELEASED	10/19/15	

APPROVED: _____ TITLE: _____
 DATE: _____

CUSTOM CABLE ASSEMBLIES ARE NON-CANCELLABLE / NON-RETURNABLE



ADAM P/N	L
CA-MINIDP-VGAF-3FT	36.024" ±.394" [915±10mm]
CA-MINIDP-VGAF-6FT	72.047" ±.787" [1830±20mm]
CA-MINIDP-VGAF-10FT	120.079" ±1.181" [3050±30mm]



SPECIFICATIONS:

Connector:
 P1 = High Density D-Sub Connector, Socket, 15P, VGA, W/Plastic Shell, Color: White, ABS, Surface polished, W/PCB board, W/Jackscrew
 P2 = Mini Display Port Plug, W/Cop, 50P PVC

Cable:
 UL20276, (32#*1P+ADM)*5C+32#*3C+28#*2C+A+B, O.D: .217" [5.5mm], Jacket Color: White

Electrical Test:
 All Assemblies must be 100% Tested for Shorts, Open, Continuity, and Physical Appearance.

Environmental:
 Lead free, RoHS compliant

ADAM TECH

909 Rahway Avenue, Union, NJ 07083
 Phone: 908-687-5000 Fax: 908-687-5710

TITLE: CUSTOM ASSEMBLY, HIGH DENSITY D-SUB
 SOCKET VGA 15P TO MINI DISPLAY PORT PLUG

UNLESS OTHERWISE SPECIFIED ALL DIMENSIONS ARE INCHES [MM] TOLERANCES: EXCEPT AS NOTED INCHES HOLES	
.X	±.10
.XX	±.020
.XXX	±.015
.XXX	±.015
Ø.X	±.10
Ø.XXX	±.015
Ø.XXX	±.010
APPROVALS	
DRAWN	HR
CHECKED	TW
APPROVED	

SIZE	PART NO.	REV.
X	CA-MINIDP-VGAF-XFT	.
REF:	S00087	SCALE: NTS
SHEET	1	OF 1