

INTRODUCTION:

Adam Tech Mini DIN Power Jack and Plug system is specifically designed to incorporate power and signal transmissions in the same small low-profile package. This combination eliminates the need of separate power and signal components on the PC Board. In addition to component savings, labor is reduced and aesthetic value is increased by the reduction of additional cables. This system features three or four contact versions and a quick-lock mating system.

FEATURES:

- Combination signal and power
- Small, compact light weight design
- 3P & 4P available
- Shielded versions available

MATING OPTIONS:

Mates with all industry standard combination power jacks.

SPECIFICATIONS:

Material:

- Standard insulator: PBT glass filled, rated UL94V-0
- Optional Hi-Temp insulator: Nylon 6T, rated UL94V-0
- Insulator Color: Black standard, custom colors available
- Contacts: Phosphor Bronze
- Plastic Shell: PVC
- Shield: Copper Alloy, Tin Plated

Contact Plating:

Silver over Nickel underplate overall

Electrical:

- Operating voltage: 30V DC max.
- Current rating: Power contact: 7 Amps max.
Signal contacts: 1 Amp max.
- Contact resistance: 20 mΩ max. initial
- Insulation resistance: 250 MΩ min.
- Dielectric withstanding voltage: 500V AC for 1 minute

Mechanical:

- Insertion force: 1.8 lbs max.
- Withdrawal force: 0.22 lbs min

Temperature Rating:

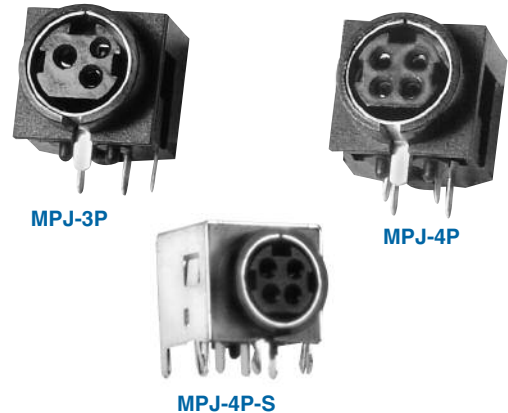
- Operating temperature: -25°C to +70°C
- Soldering process temperature:
Standard insulator: 235°C
Hi-Temp insulator: 260°C

PACKAGING:

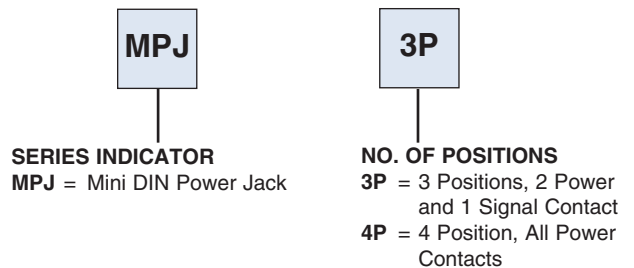
Anti-ESD plastic trays

APPROVALS AND CERTIFICATIONS:

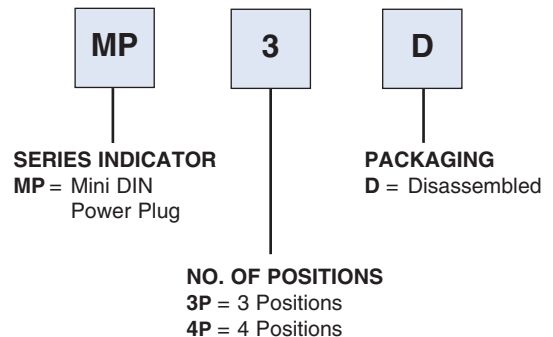
- UL Recognized File No. E224053
- CSA Certified File No. LR1578596



**ORDERING INFORMATION
POWER JACK**



POWER PLUG

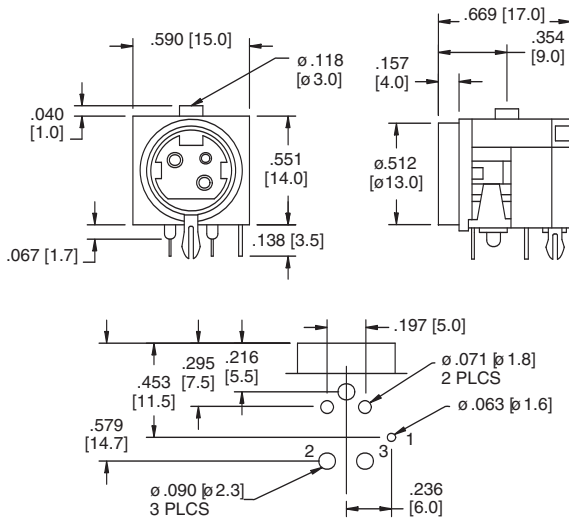


OPTIONS:

Add designator(s) to end of part number

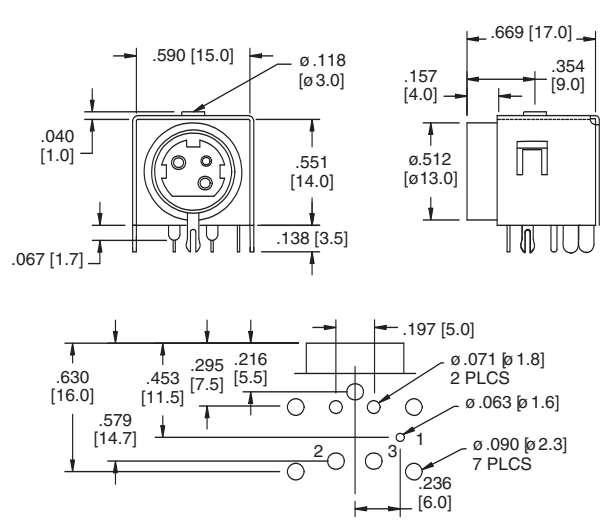
- S = Shielded
- HT = Hi-Temp insulator for Hi-Temp soldering processes up to 260°C

MPJ-3P UNSHIELDED



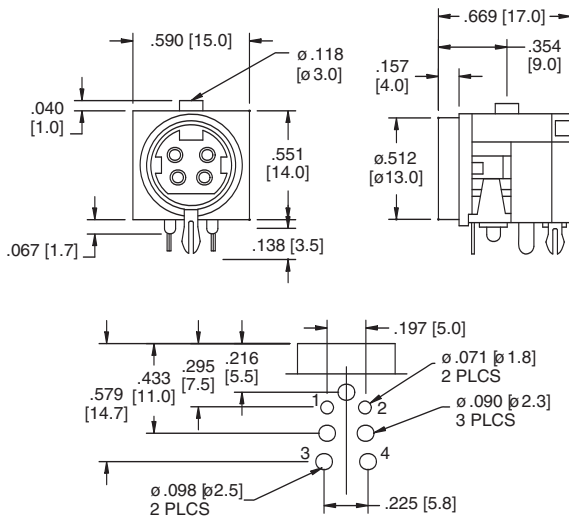
Recommended PCB Layout
(Top View)

MPJ-3P-S SHIELDED



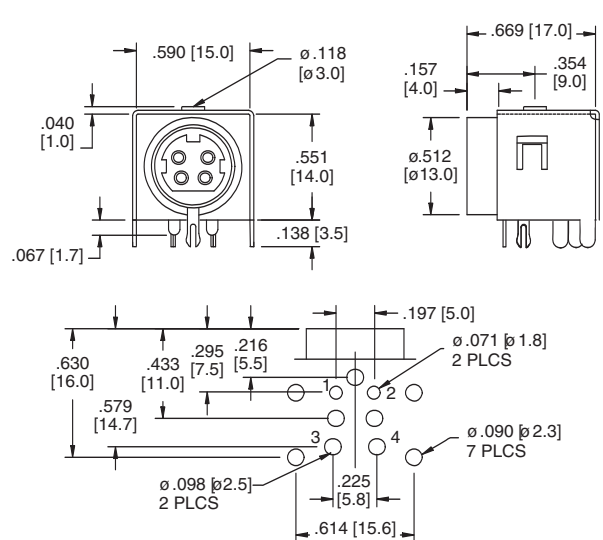
Recommended PCB Layout
(Top View)

MPJ-4P UNSHIELDED



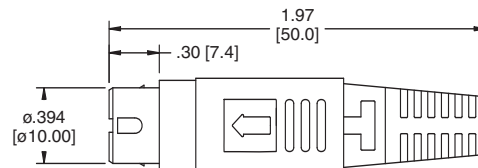
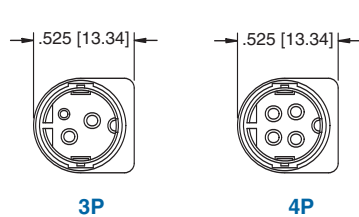
Recommended PCB Layout
(Top View)

MPJ-4P-S SHIELDED



Recommended PCB Layout
(Top View)

MP SERIES POWER PLUG



INTRODUCTION:

Adam Tech DP and MDP series male and female DIN and Mini DIN plugs are offered in an assembly version which contains a fitted two-piece snap-together metal shell with a slide over boot which surrounds the center contact pad or a molded version which has a one piece metal shell permanently attached to the contact pad which is used in over-molded cable production. Their simple yet extremely sturdy design make them perfect for most applications.

FEATURES:

DIN and Mini DIN styles
Easy two-piece metal shell assembly
Over-mold or assembly versions

MATING CONNECTORS:

All industry standard circular Mini DIN and DIN jacks.

SPECIFICATIONS:

Material:

Insulator: PBT glass filled, rated UL94V-0
Insulator Color: Black standard, custom colors available
Contacts: Brass
Shield: Copper Alloy, Tin Plated

Contact Plating:

Nickel on mating area, Tin over Copper underplate on solder area.

Electrical:

Operating voltage: 100V AC / 12V DC max.
Current rating: Mini Din: 1 Amp max.
Din: 2 Amps max
Contact resistance: 20 mΩ max. initial
Insulation resistance: 500 MΩ min.
Dielectric withstanding voltage: 500V AC for 1 minute

Mechanical:

Insertion force: 9.9 lbs max.
Withdrawal force: 0.8 lbs min
Mating durability: 5000 cycles min.

Temperature Rating:

Operating temperature: -25°C to +70°C

PACKAGING:

Anti-ESD plastic trays

APPROVALS AND CERTIFICATIONS:

UL Recognized File No. E224053
CSA Certified File No. LR1578596)



ORDERING INFORMATION

MDP

008

SERIES INDICATOR

DP = Male DIN Plug
DS = Female DIN Plug
MDP = Male Mini DIN Plug
MDS = Female Mini DIN Plug

NO. OF POSITIONS

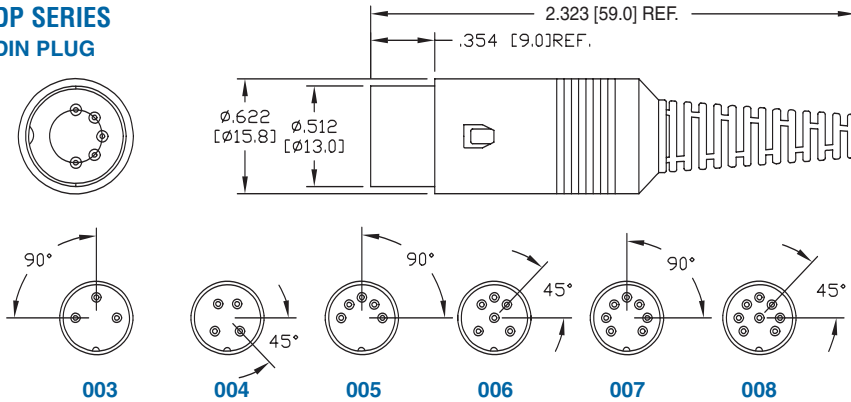
003 thru 008 (DP/DS)
003 thru 009 (MDP/MDS)

OPTIONS:

Add designator(s) to end of part number

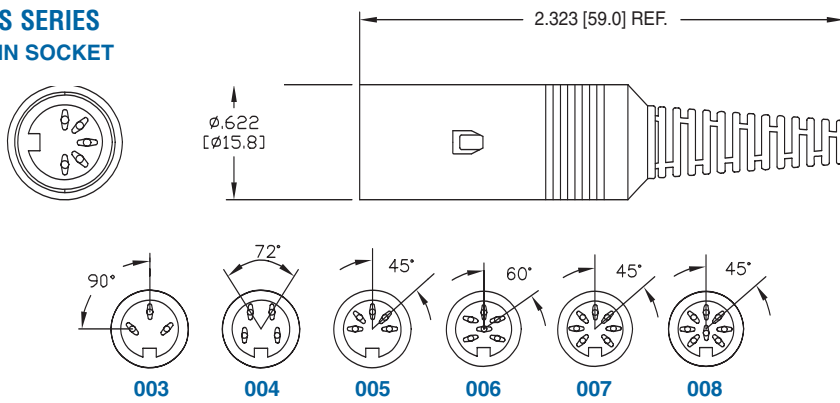
G = Gold plated contacts
M = Single piece barrel and contact pad
without plastic shell for molding
applications

DP SERIES DIN PLUG



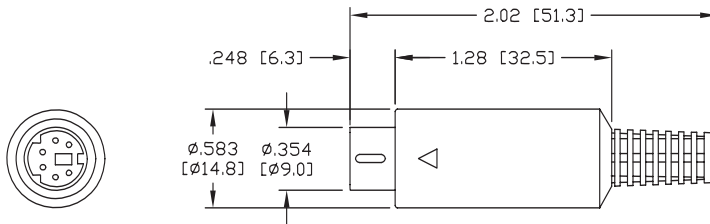
DP-008

DS SERIES DIN SOCKET



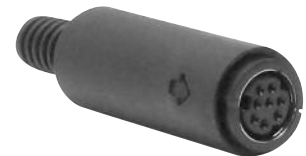
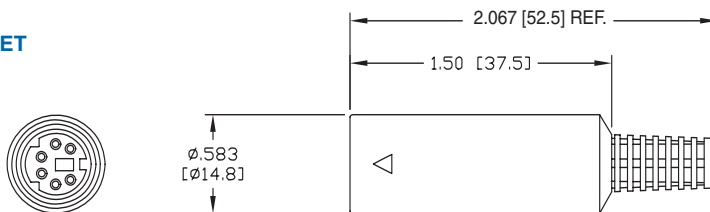
DS-008

MDP SERIES MINI DIN PLUG

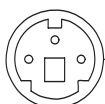


MDP-006

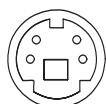
MDS SERIES MINI DIN SOCKET



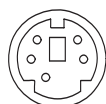
MDS-008



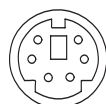
3 PIN



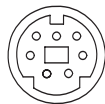
4 PIN



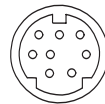
5 PIN



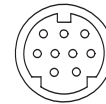
6 PIN



7 PIN



8 PIN



9 PIN